

PURE

T H E A T R E

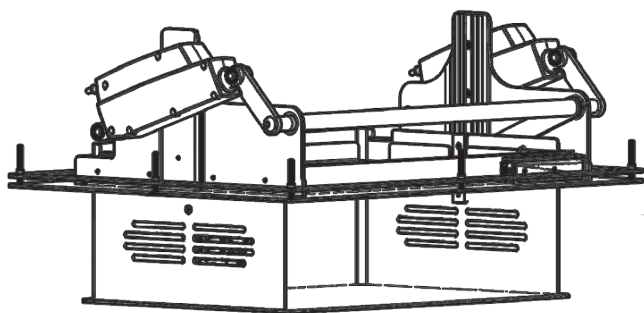
INSTALLATION

OPERATION

SETUP

PROGRAM IR REMOTE

FACTORY RESET



MODELS:

Small - Standard
Deep - Wide - Large
X-Large - XX-Large

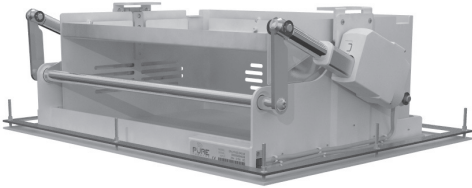
Projector Lift

User Guide

CONTENTS

Part Checklist	1
Installation	2-5
Operation	6
Setup Notes	7
Program IR Remote	8
Factory Reset	9

CHECKLIST



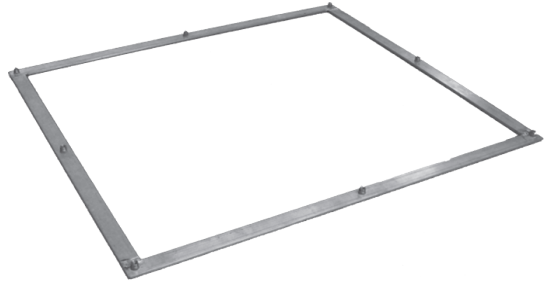
PROJECTOR LIFT



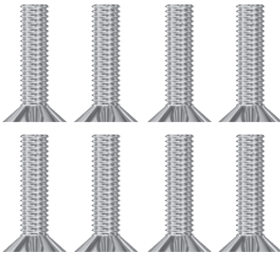
POWER SUPPLY



INFRA-RED REMOTE



TEMPLATE / MOUNTING FRAME

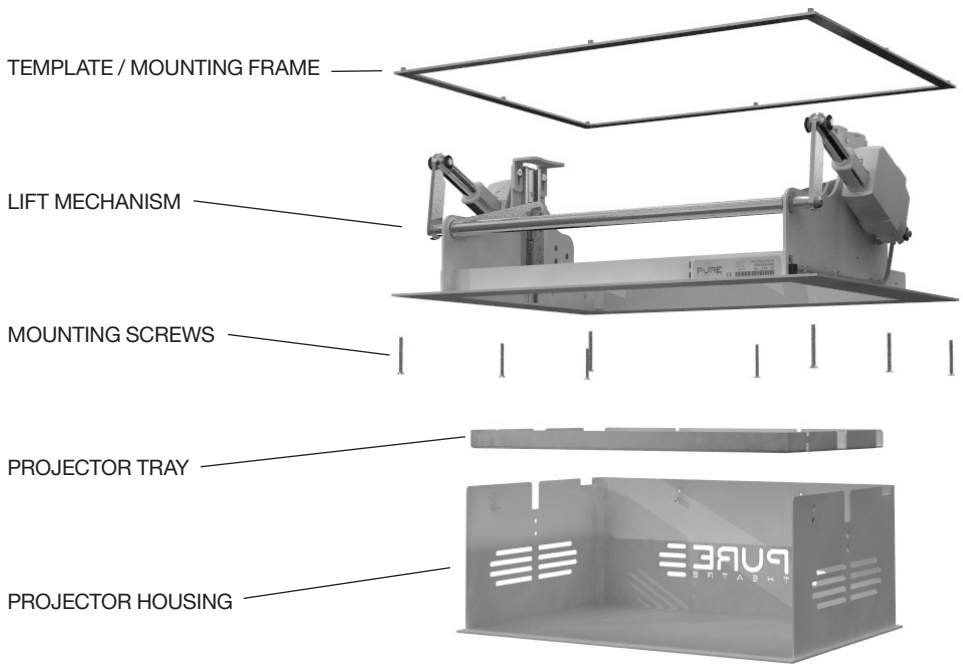


MOUNTING SCREWS
(M5 x 50mm long)



SCREW COVERS

PARTS



PRIOR TO INSTALLATION

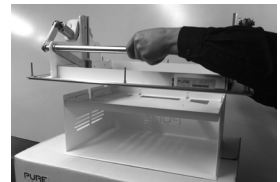
IMPORTANT. Release projector housing prior to installation



Place lift on shipping box, then connect power and lower using remote control.



Remove four retaining screws, located on either side of the projector housing.



Separate the lift mechanism from the projector housing.

INSTALLATION

STEP 1. Find Joists, Pipes & Cables

Find the approximate position for your projector and then locate and mark the position of any joists, wiring and plumbing.

To aid installation a wood/metal sensor is recommended. Available from most DIY stores



STEP 2. Mark Out Position

Now you have the joists marked, measure the exact position for the projector lift and mark out using the template supplied. Simply draw around the *INSIDE* of the template and then mark all hole positions.

(We recommend holding the projector in place, powering up and testing the screen size with zoom set to its middle position before drilling holes.)



STEP 3. Drill Holes

Drill 8mm diameter holes through ceiling for mounting screws. Be sure to drill the holes carefully as these will have to line up with the projector lift.



STEP 4. Cut Slot

Cut out ceiling slot along the template line, taking care to keep as close to the line as possible.





STEP 5. Install Template

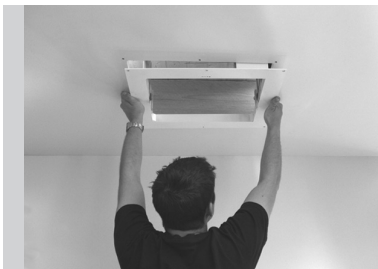
Place the template into the ceiling cavity and align with holes.

If you are securing directly to joists cut the template to suit and secure using No.8 screws into joists.



STEP 6. Install Transformer

Place the mains transformer into the ceiling cavity and connect to the nearest suitable mains power supply. Allow the 24v plug to hang down for easy connection to the lift.



STEP 7. Install Projector Lift

Raise the lift up to the ceiling and connect the power supply.

Note. The LEDES on the lift should both light RED, then go to GREEN and YELLOW, and then OFF.



STEP 8. Test Lift Mechanism

Test mechanism up and down with remote control then leave in the down position to allow projector housing to be mounted.



STEP 9. Install Power & AV Cable

Install the projector power and AV cables and leave hanging down approximately 300mm.

This will aid installation of your projector.



STEP 10. Mount Projector

Mount projector to projector tray where inverted mounting is required. Otherwise place projector onto projector housing and place tray above.

Then raise up to ceiling and connect all power and AV cables to the projector.



STEP 11. Install Projector Lift

Once power and AV cables are connected lift the projector housing up into the lift mechanism and fit four retaining screws, two on either side.

This will secure the projector housing to the lift mechanism.



STEP 12. Secure And Test

Finally tighten all screws into ceiling.

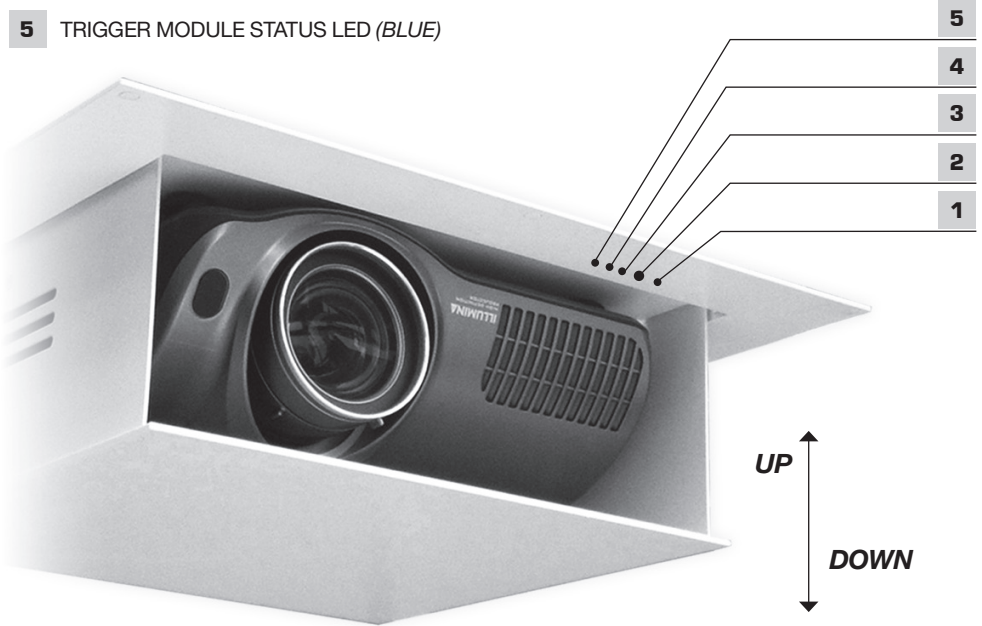
(Fit screw covers once you have tested your installation.)

Your lift is now ready to use.

Please read the following pages for operating instructions and programming options.

OPERATION LIGHTS

- 1 PROGRAMMING BUTTON
- 2 INFRA - RED SENSOR
- 3 SYSTEM STAUUS LED (*ILLUMINATES YELLOW & RED*)
- 4 INFRA - RED STATUS LED (*ILLUMINATES GREEN & RED*)
- 5 TRIGGER MODULE STATUS LED (*BLUE*)



REMOTE OPERATION

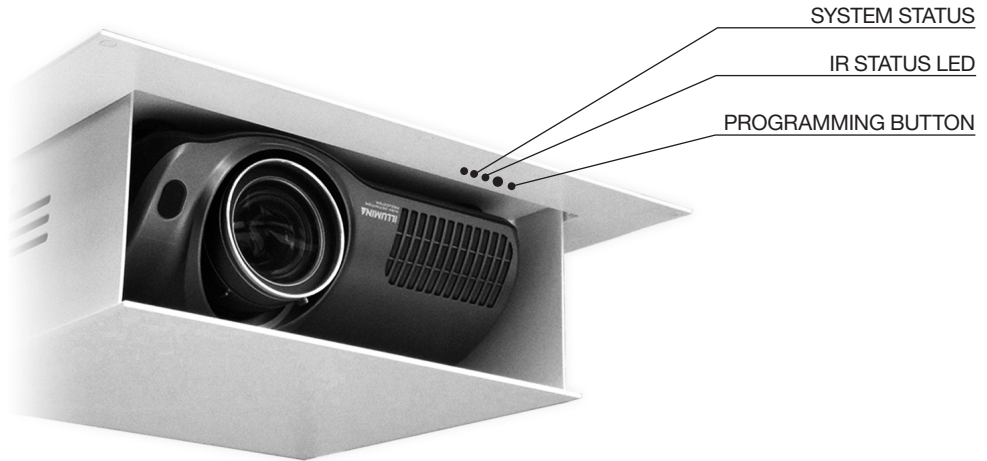
Once your lift is correctly installed and power has been established simply use the supplied remote control to operate the lift.



PROGRAMMING IR REMOTE

The projector lift can learn commands from the majority of domestic remote controls, allowing your TV or projector remote to control the lift.

Programming a new remote will *NOT* disable the PureTheatre™ IR Remote.



PROGRAMMING IR REMOTE CONTROL:

STEP 1. Press programming button until *SYSTEM STATUS LED* & *IR STATUS LED* illuminate. (*Approx 2 sec*)

STEP 2. Then only *SYSTEM LED* illuminates. (*Watch LEDS when programming as IR is very fast.*)

STEP 3. Press desired *UP* button briefly on the domestic remote control.
The *IR LED* flashes *GREEN* for learning then *RED* for storing the new button.

STEP 4. Press *UP* button again briefly on domestic remote control.
The *IR LED* flashes *GREEN* for learning then *RED* for storing the new button.

STEP 5. Now press desired *STOP* button briefly on the domestic remote control.
The *IR LED* flashes *GREEN* for learning then *RED* for storing the new button.

STEP 6. Press *STOP* button again briefly on domestic remote control.
The *IR LED* flashes *GREEN* for learning then *RED* for storing the new button.

STEP 7. Now press desired *DOWN* button briefly on the domestic remote control.
The *IR LED* flashes *GREEN* for learning then *RED* for storing the new button.

STEP 7. Press *DOWN* button again briefly on domestic remote control.
The *IR LED* flashes to confirm success then extinguishes.

NOTE. When *LEDS* go out your domestic IR remote control is ready to use.

FACTORY RESET

A factory reset will remove all stored IR commands and return the lift back to factory default.



PERFORMING FACTORY RESET:

STEP 1. Press *PROGRAMMING* button for 20 seconds until
SYSTEM STATUS LED & IR STATUS LED illuminate *RED*.

STEP 2. Release *PROGRAMMING* button.
SYSTEM STATUS LED & IR STATUS LED will flash *RED* 3 times.

STEP 3. The screen will then *RESTART*.

The factory reset is now complete.

supplied by

