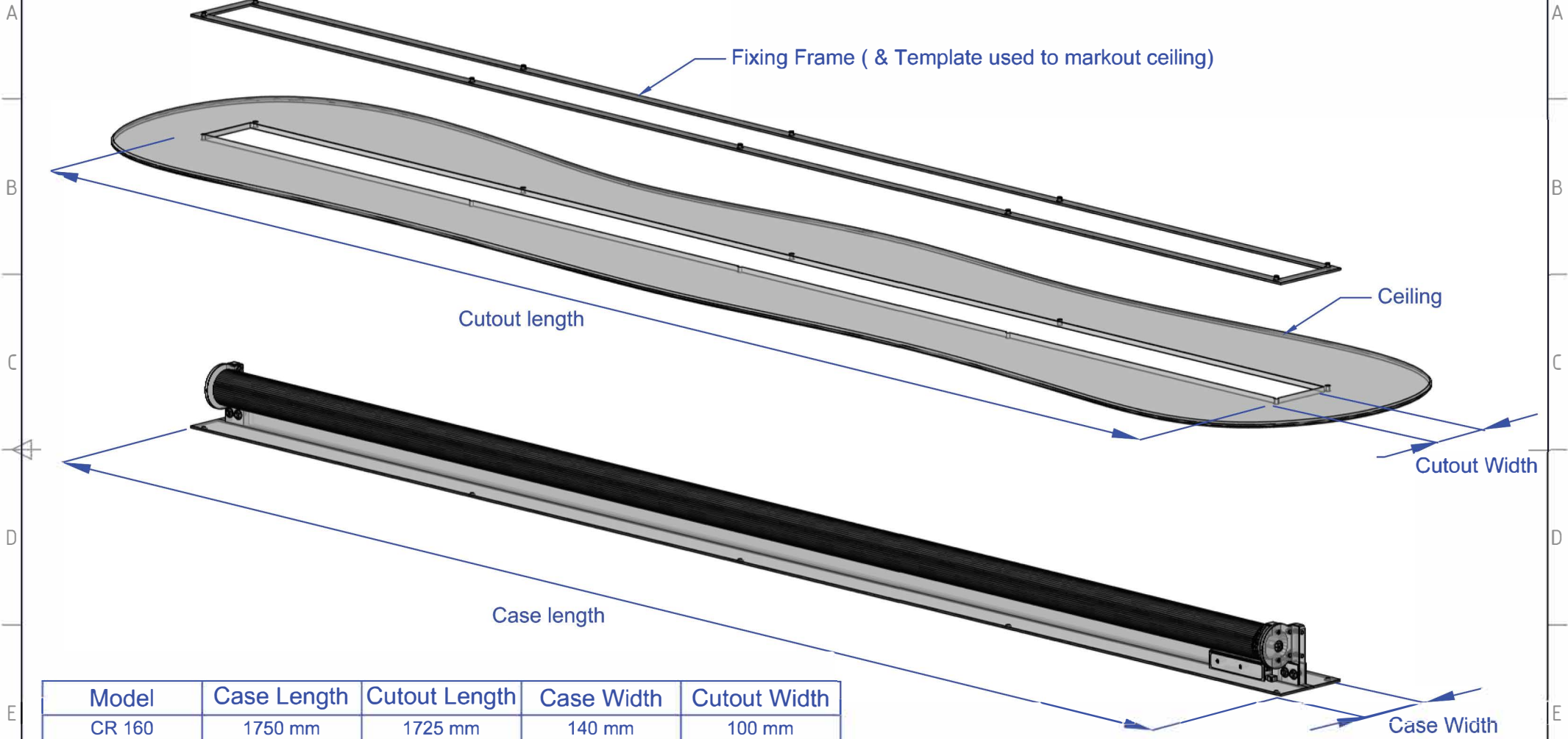


Itemref	Quantity	Title/Name, designation, material, dimension etc			Article No./Reference		
Designed by CAP	Checked by CAP	Approved by - date 07/12/2019	File name CRInstallation.dwg	Date 07/12/2019	Scale NTS		
PureTheatre®				CR Screen Installation			
				Revision 2b	Edition 2b	Sheet 1/2	



Model	Case Length	Cutout Length	Case Width	Cutout Width
CR 160	1750 mm	1725 mm	140 mm	100 mm
CR 180	1950 mm	1925 mm	140 mm	100 mm
CR 200	2150 mm	2125 mm	140 mm	100 mm
CR 220	2350 mm	2325 mm	140 mm	100 mm
CR 240	2550 mm	2525 mm	140 mm	100 mm
CR 260	2750 mm	2725 mm	140 mm	100 mm
CR 280	2950 mm	2925 mm	140 mm	100 mm
CR 300	3150 mm	3125 mm	140 mm	100 mm

Itemref	Quantity	Title/Name, designation, material, dimension etc	Article No./Reference
Designed by CAP	Checked by CAP	Approved by - date 07/12/20219	File name CRInstallation.dwg Date 07/12/2019 Scale NTS
PureTheatre®		CR Screen Installation	
Revision 3		Edition 2b	Sheet 2/2